

ROADMASTER™

Designed for Tough Jobs

MODELS	R3-80-36	R3-80-48
TYPE	Electric	Electric
SPEED (MAX MPH)	12	15
RANGE (MILES)	26	35
LOAD CAPACITY (lbs)	1,150	1,150
TOWING CAPACITY (lbs)	5,000	5,000
BED SIZE (W"xL")	42x34	42x34
VOLTAGE	36 Volt	48 Volt
TURNING RADIUS (INCHES)	112"	112"



Tough and Dependable Product Solutions

The Roadmaster™ utility vehicle is designed to provide the ultimate versatility in today's work environment. This vehicle utilizes 16-gauge steel unibody design that ensures years of service in rugged applications.

Roadmaster is equipped with a 36 or 48 volt drive train that provides speeds up to 15 mph. Equipped standard with automatic charger, solid state speed controller, safety seat switch and 6 hp DC motor, Roadmaster is the best value in its class of vehicles.

Configured with fold down 4 passenger seating, Roadmaster can be used as a personnel or burden carrier during daily operations. Equipped with factory installed steel cabin and doors makes this vehicle ideal for both indoor and outdoor applications.

The advantage of selecting a Taylor-Dunn product is the ability to customize. Whether it's a special cargo box size or shelving required to organize your goods, just ask your Taylor-Dunn field sales representative to provide you with the most cost-effective solution.

With over 130,000 vehicles in service and over 50 years of experience, Taylor-Dunn products are the best way to go about your business.



The best way to go about your business

PERSONNEL CARRIERS



Aristocrat



Roadmaster

BURDEN CARRIERS



Taylortruck



Loadmaster



Model B Series



Electruck



Maintenance Expediter



Stepsaver



Stockchaser

TOW TRACTORS



Towmaster



Mule



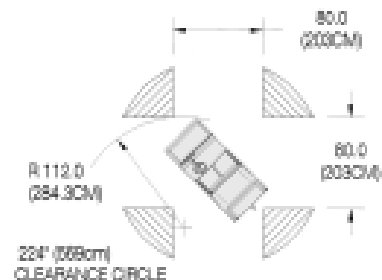
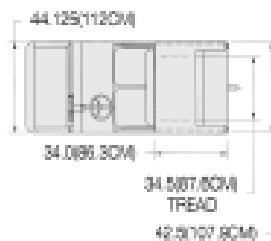
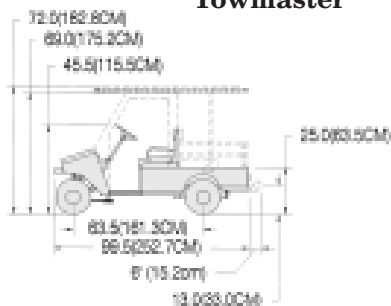
Pullmaster



Model E



Huskey



ROADMASTER™ STANDARD SPECIFICATIONS

- Product Line:** Model R3-80
Wheels: 4 wheels
Unit Weight: 1,100 lbs (500 Kg.)
Load Capacity: 1,150 lb.
Battery Type (Lead Acid): 220 amp hours, 6 volts
System Voltage: 36 volt
Travel Distance (Unloaded): 26 miles
Energy Consumption: 243 watt/hr. per mile
Drive Axle: Direct drive, oil bath, 12.44:1
Motor: NEMA rated 36V, 6 hp @1200 rpm intermittent duty; 2 hp @ 2800 rpm normal duty
Speed (Unloaded): 12 mph
Gradeability: 15% empty, 5% fully loaded
Tires Pneumatic: 5.70x8 load range B
Brakes: Two wheel 7" mechanical rear drum w/hand operated parking brake
Steering: Automotive steering 24:1

- Frame:** All steel unitized body, heavy duty 16 gauge diamond plate steel, diamond plate deck
Suspension: Leaf springs front and rear, with dual front shock absorber
Color: Safety orange, traffic yellow
Seats: Individual seat cushions, full back seat foam covered with vinyl
Controller: Solid state speed controller 275 amp 36 volt, safety seat switch
Wiring: Modular harness design with weather protected connectors
Instrumentation: Battery discharge indicator, forward/reverse selector, key switch
Light Accessories: Dual brake light
Charger: 25 amp, 36 volt built in automatic charger
Charge Time: 8 hours for charge on batteries 80% discharged
Input Voltage: 110 volt/220 volt, 50 Hz./60Hz.
Charging Energy Requirements: 9.9 kw hr. @ 80% efficiency
Conformance Standards: Type E OSHA requirements 1910.178, ANSI B56.8 requirements

48 VOLT SYSTEM

- 15 mph direct drive
- Front and rear hydraulic brakes
- Eight 6 volt 220 amp/hr batteries
- Portable 48V, 25 amp charger
- 350 amp solid state controller

ROADMASTER™ OPTIONAL FEATURES

Charger

- Portable 25 amp charger or 40 amp charger
- Built in 110V/220V 50 Hz.
- Charger interlock

Accessories

- Strobe light, amber - on pole, or top of cab
- Dual headlights, taillights, directional signals
- Reverse alarm, hour meter
- Front bumper

Deck

- 9 inch high pipe rails, removable end gate
- Cargo box 9 inch high, bolt-on with drop tailgate
- Rear flip up seat, 4 passenger with side hand rails
- Steel panel box 43" w x 31" l x 45" h with double locking doors in rear, with safety glass windows
- Rear tool box with lockable doors

Battery Compartment

- 250 a.h. batteries

Tires

- 18x8.50x8 Terra tires, pneumatic
- 5.00x8 soft solid

Brakes

- Front & rear wheel hydraulic

Cab

- Steel cab, doors & safety glass windows
- Windshield, rigid plexiglass, clear
- Mirrors - left, right and rear

Top Frames

- Fiberglass or surrey top cover with tubular frame
- Extended cab, steel top

Drive Axle

- 400 amp controller
- 10 hp, direct drive

Color

- White, or special paint color
- Undercoating
- Special seat color



TAYLOR-DUNN®
Commercial and Industrial Vehicles Since 1949

2114 West Ball Road, Anaheim, CA 92804 • (714) 956-4040 • FAX (714) 956-3130
Visit our website: www.taylor-dunn.com